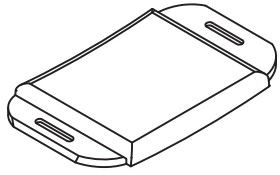



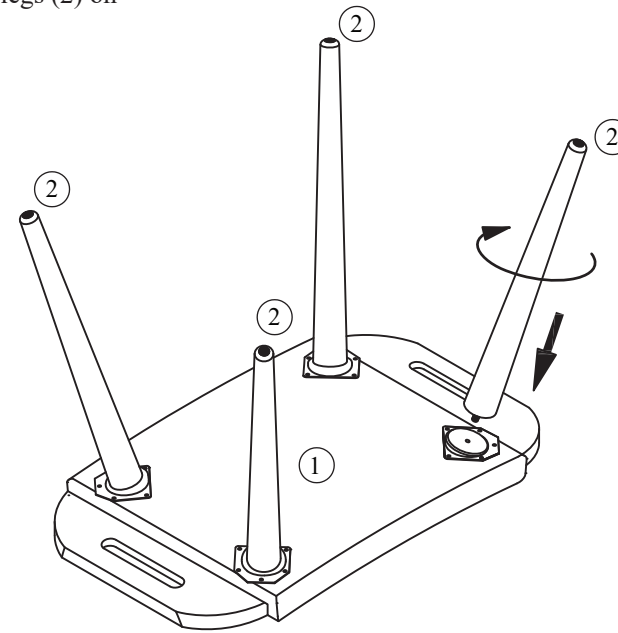
ASSEMBLY INSTRUCTION

ITEM : Upholstered Oak-Bench

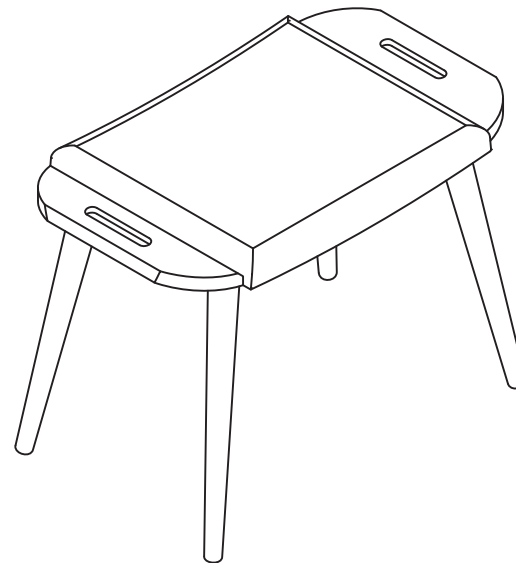
NO.	PARTLIST	QTY
1	 BENCH TOP	1PC
2	 LEG	4PCS

STEP 1

Please put seat (1) upside down on a flat surface, then screw legs (2) on it.



STEP 2



ASSEMBLY COMPLETED

NOTE : AFTER A FEW DAYS OF ASSEMBLY. IT WILL HAVE ACCLIMATIZED TO THE ENVIRONMENT. PLEASE TIGHTEN ALL HARDWARE. CHECK TIGHTNESS OF ALL SCREWS EVERY 6 - 8 WEEKS.